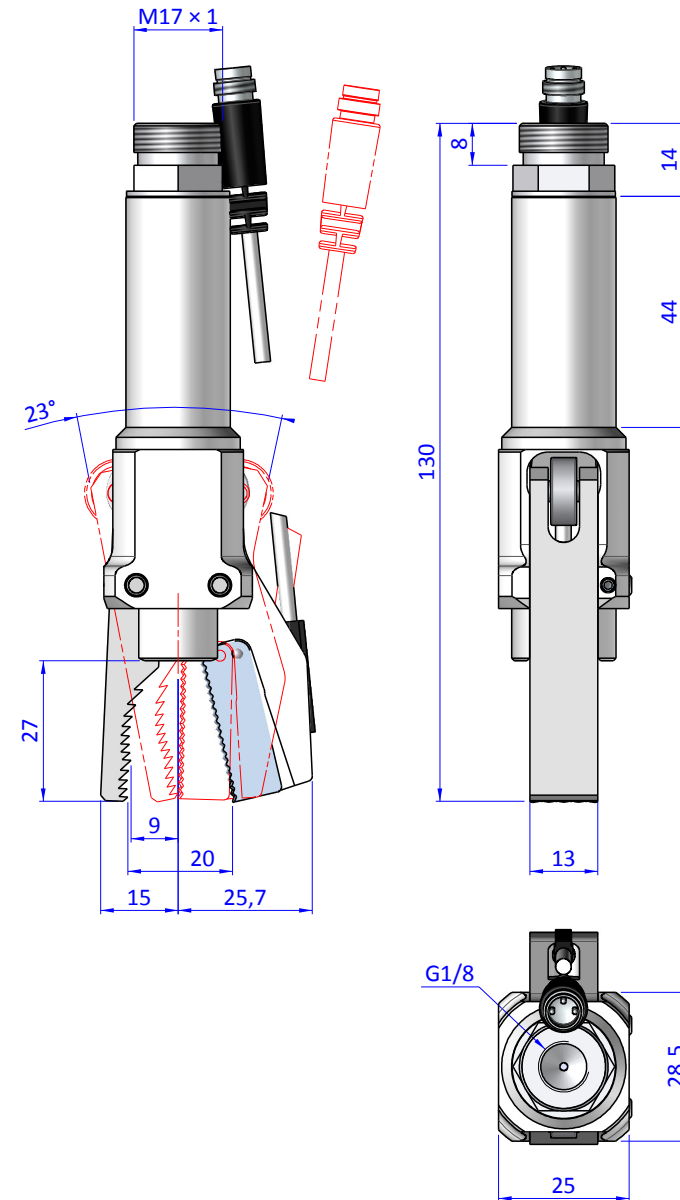
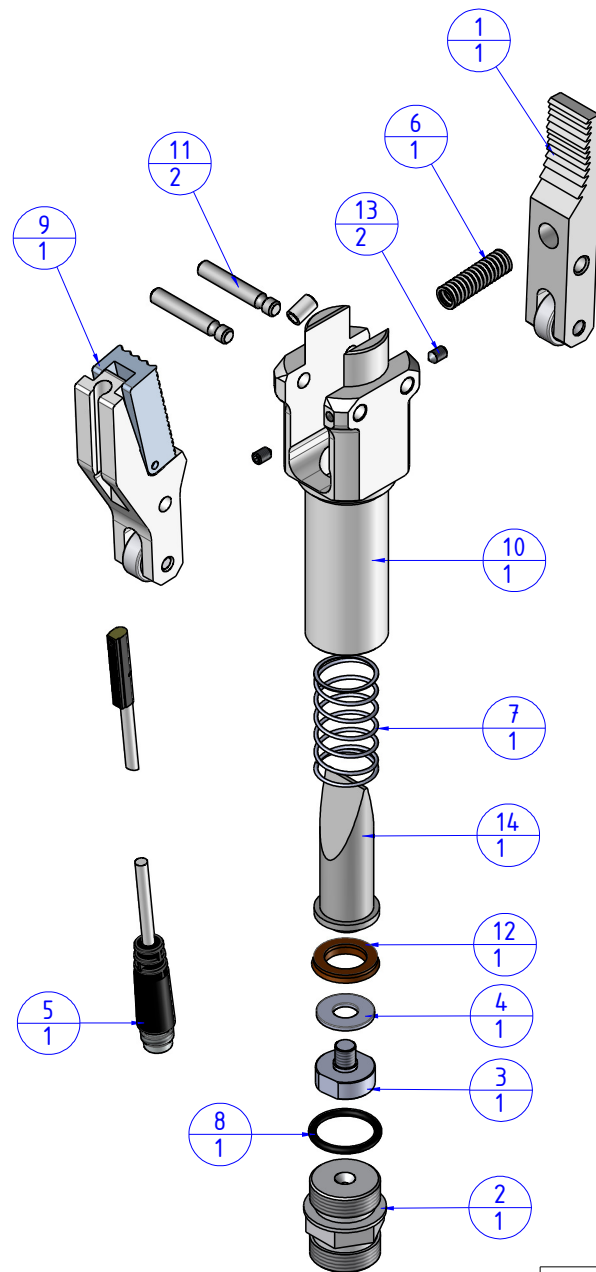


THE PROPERTY OF THE DRAWING IS ESTABLISHED BY LAW. IT IS FORBIDDEN TO PRODUCE OR SHOW IT TO THIRD PARTY, WITHOUT A WRITTEN AGREEMENT.

Item	Name	Qty.
1	DD.20.16E.02	1
2	GRF20.95.01	1
3	GRF20.95.03.2	1
4	GRF20.95.10	1
5	KT58NM8	1
6	M.6X35	1
7	M.GRF.2095.1	1
8	OR.2056	1
9	DD.20.16M.02	1
10	PAC.2016.1	1
11	PAC.2016.5	2
12	PSP.1610255	1
13	V.STM3X5	2
14	DD.20.02	1



Format A3

UNI 936-76

		DESIGNED FROM	REVIEW
		FP SERVICES	A
GENERAL TOLERANCE	DESCRIPTION	DATE	WEIGHT
UNI - ISO 2768	CA.PAC20.16A	07/03/2019	0,157kg
CLASSE F		CODE	CA.PAC20.16WN